

Quilt Maker

Memory Craft 15000

1. Ruler Work Foot (QR)

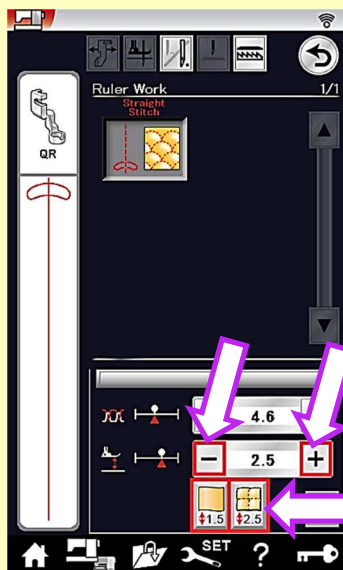
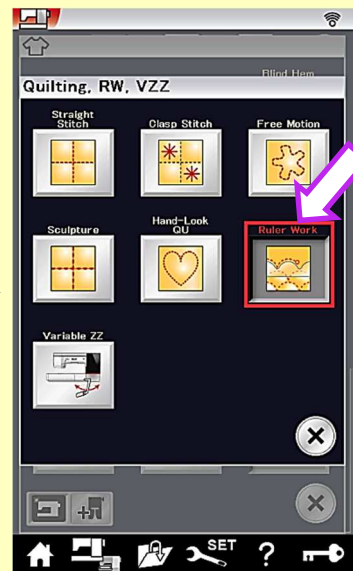
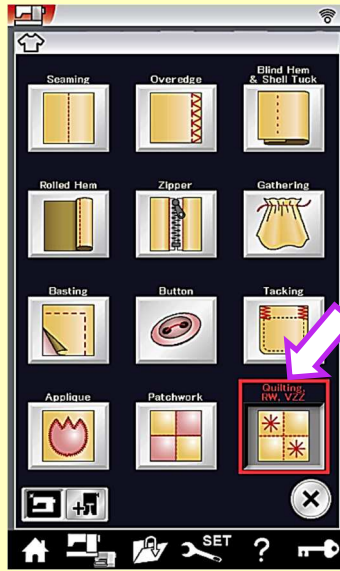
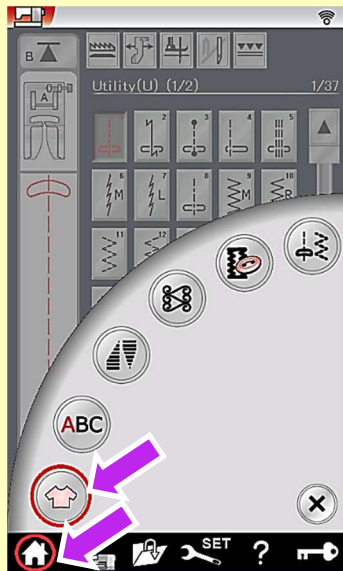
To make ruler work more enjoyable for all quilters, this presser foot was developed exclusively for ruler work.

Regular patterns that are difficult to free-motion quilt can be sewn using the ruler work foot and a quilting template. Using this foot, it's easy for anyone to sew regular patterns, and in addition to free motion quilting, you can add a new method of expression to your quilting repertoire.



Point 1 Convenient Ruler Work Page in Sewing Applications

When you open the ruler work page, all the settings required for ruler work will automatically be displayed.



Adjust the presser foot height to suit quilt thickness. (default setting: 2.5)

For ordinary and bulky quilts: select 2.5

For flatter quilts: select 1.5

*You can make fine adjustments to presser foot height by pressing the "+" or "-" key.



Quilt Maker

Memory Craft 15000

1. Ruler Work Foot (QR)

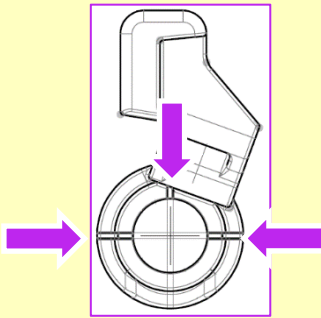
Point 2 Front of Foot is V-Shaped

To make it easier to see the area around the needle while sewing, the front of the foot is V-shaped.

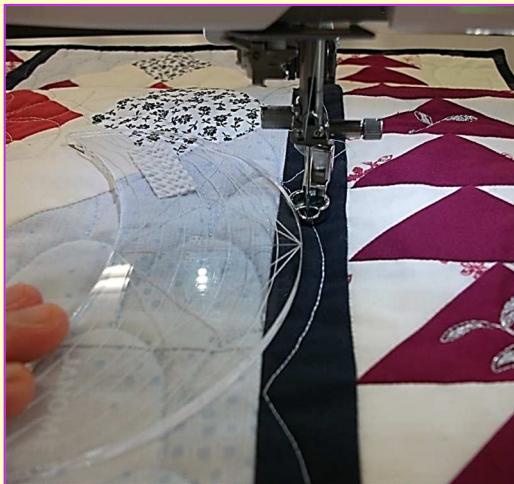


Point 3 Marks on the foot can be used to determine the center point of the foot

Marks help to see the center point of the foot hole. This helps to create accurate ruler work designs.



You can comfortably sew using quilting templates (rulers) for all sorts of patterns.



*Useful Ruler Work Kit

Janome offers the Ruler Work kit. The kit includes six quilting templates (rulers), plus an 8" crosshair marking tool and an instructional DVD and instruction sheets.

2017/8/7
JTM-1033

JANOME