

**JANOME**



*Electro Press*

***JP-S2 Series***

JP-S2  
Series

## Inline Installation Type Servo Press

Slim  
&  
Compact



### Space Saving

Slim press unit and compact controller ideal for facility integration. Effectively lowers your production equipment space requirements whether installed as a single unit or as a multiple unit system.

### Comprehensive Lineup

9 basic model sizes ranging from 5kN~200kN, with different ram stroke lengths to choose from.

### Ideal for Air or Oil Press Replacement

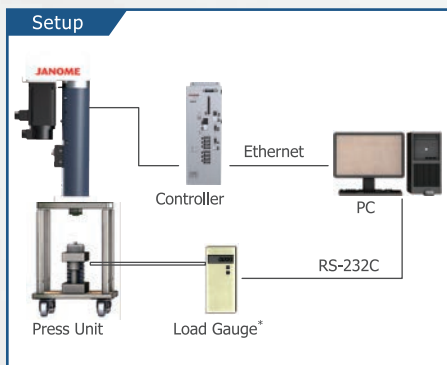
The low noise, environmentally friendly JP-S2 consumes less energy than an oil or air press, greatly lowering your running cost. Installation is easier too, as electrically-powered servo presses need no piping!

### Wide Variety of Pressing Modes and Sensors

We combined pressing parameters (speed/load) with stopping parameters (position/load/distance/time, etc.) to create our pressing modes. Set several modes in one program to make a multi-stage operation. Use our many sensor functions to judge pressing results.

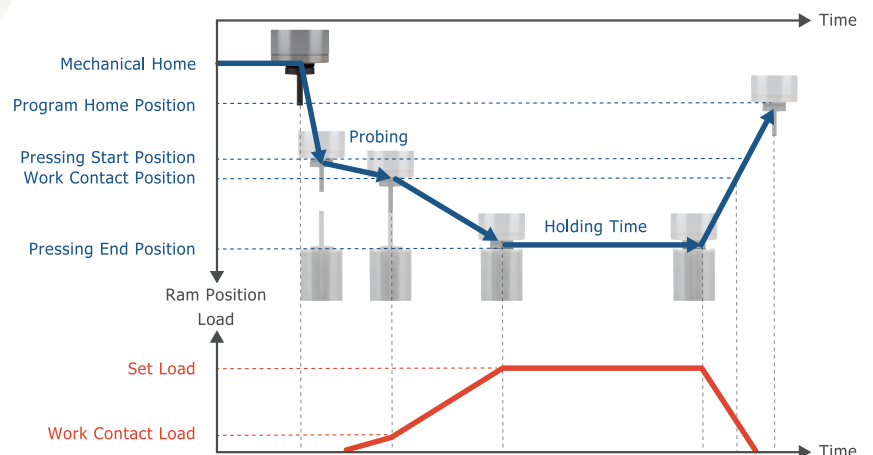
### Auto Load Calibration

Calibrate the internal load cell with just a few easy settings!



\*Please contact us about compatible load gauges.

### Basic Servo Press Operation

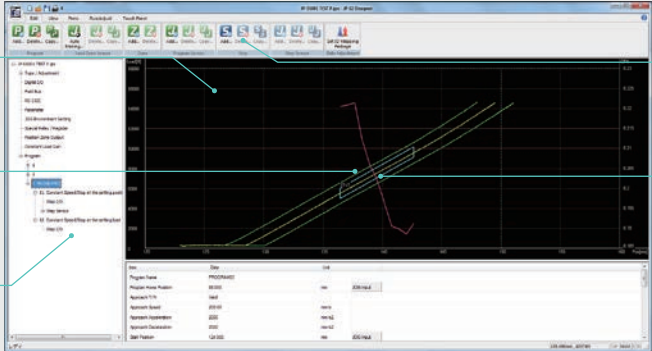


## PC Software

Edit setting data, display pressing results and analyze your data with our original “JP-S2 SaS System” software.

### — Designer

Create teaching and sensor parameter data, send and receive all your setting data to and from your PC, save changes, backup and print your data.



Display time series data acquired from the press by Sampler as a graph.

Sensor Window (Blue)  
CPK Value Display (Pink)

Choose menu icons and easily add sensors to your pressing programs.

Touch Panel PC Compatible\* Icons.

Use your mouse to modify sensor parameters.

### — Sampler (optional)

Use this software to display quality control data and time series data for each shot, and save it as a sampling file. Displays the pressing results for multiple press units on one screen.



Most recent pressing result data displayed here.

See pressing productivity from both the control and worksite sides.

Quality Control Data Screen Shows cumulative result data.

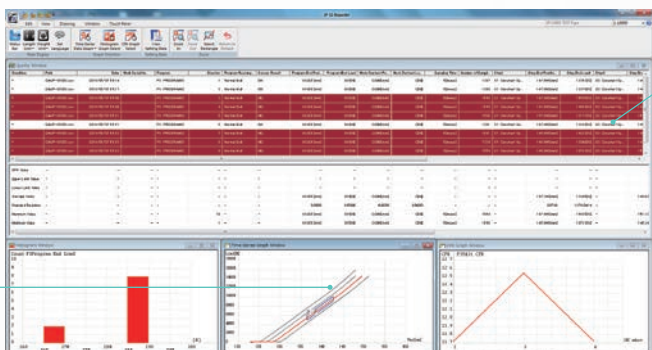
\*Display example of pressing data from 4 units.

Pressing result waveform data displayed here.

Know sensor results with just one look!  
**OK NOK**

### — Reporter (optional)

Display data acquired by Sampler, generate CPK analysis and result analysis reports.



Work Characteristic Analysis (Compare results for the same process done by multiple presses.)

Comprehensive Sorting

- Extract an NOK result list
- Sort results by end position/end load to check work variance, etc.

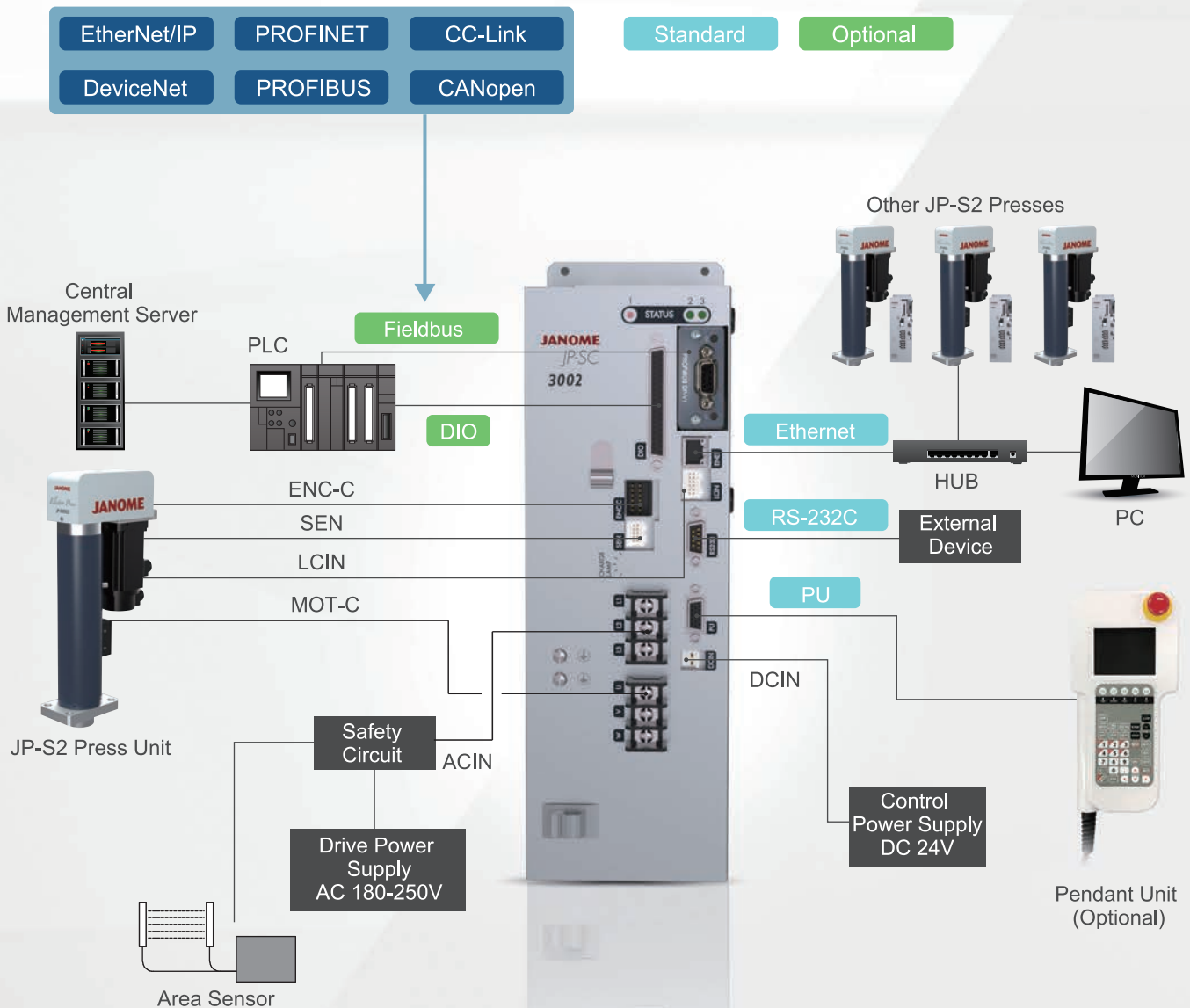
## Model Code

**JP-S 1002 - 0 0 100 B S - N 0 CC B - 5 5 1**

JP-S2 Series	Pressing Capacity	Rating	Specification	Stroke <sup>2</sup>	Brake	Load Cell	DIO	Fieldbus	Regenerative Resistance	Press Unit Cable <sup>3</sup>	Power Cable	Power Source Specs
0502 : 5kN	0 : Standard	0 : Standard	0 : Standard	100 : 100mm	B : Included	S : Pressing	N : NPN	EP : EtherNet/IP	B : Built-in	3 : 3m	3 : 3m	1 : Single Phase <sup>4</sup>
1002 : 10kN	1 : CE	1 : Long Holding <sup>1</sup>	1 : Long Holding <sup>1</sup>	150 : 150mm	0 : None	0 : None	P : PNP	PN : PROFINET	A : External Add-on	5 : 5m	5 : 5m	3 : Three Phase
1502 : 15kN				200 : 200mm			0 : None	CC : CC-Link		A : 10m	A : 10m	
2002 : 20kN				250 : 250mm				DE : DeviceNet		B : 15m	0 : None	
3002 : 30kN				300 : 300mm				PR : PROFIBUS		C : 20m		
5002 : 50kN				350 : 350mm				CO : CANopen		D : 5mR		
8002 : 80kN				400 : 400mm				00 : None		E : 10mR		
10T2 : 100kN				450 : 450mm						F : 15mR		
20T2 : 200kN										0 : None		

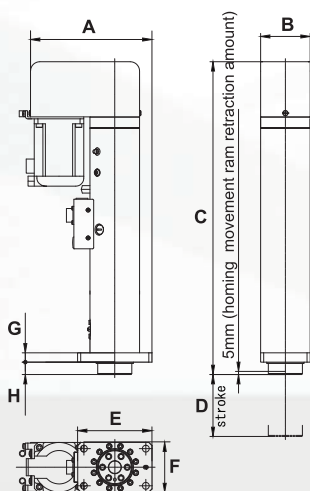
- \*1 Equipped with a motor one size larger. Please refer to page 7 for compatible models.
- \*2 Compatible strokes vary by model. Please refer to the "Specifications" on pp. 6-7 for details.
- \*3  $\bigcirc$ mR are flexible cables.  
Flexible cables and cables 10m and longer are not CE compatible.
- \*4 JP-S2002 and smaller models only.

## System Configuration

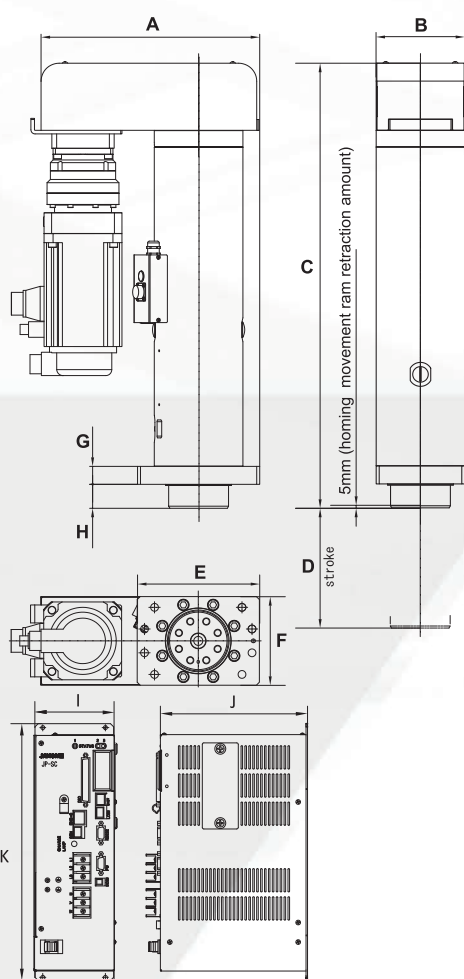


# External Dimensions

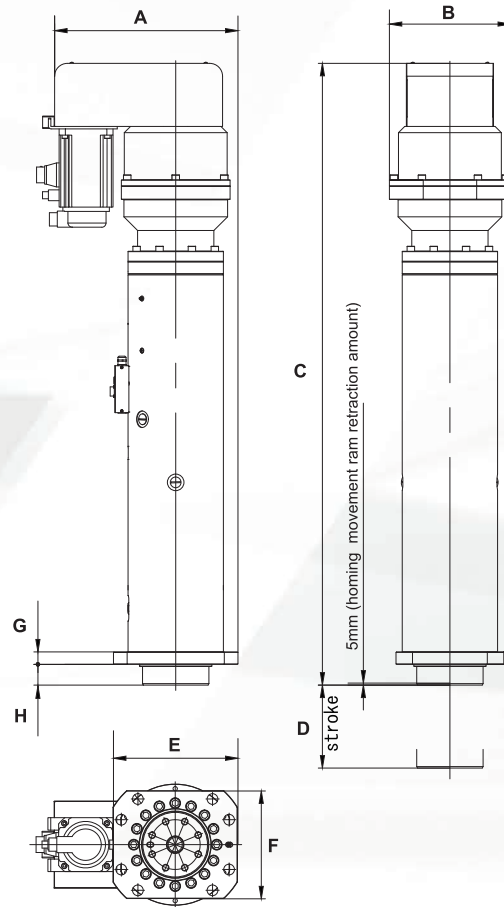
## JP-S0502~JP-S3002



## JP-S5002~JP-S10T2



## JP-S20T2



## Controller

### External Dimensions

Unit: Dimensions (mm) Weight(kg)

Model	Stroke	Press Unit									Controller			
		A	B	C	D	E	F	G	H	Weight	I	J	K	Weight
JP-S0502 JP-S1002	100			455	100					12				
	150	155	65	505	150	95	65	15	20	13				
	250			655	250					16				
	350 <sup>*1</sup>			805	350					18				
JP-S1502 JP-S2002	100									505	100			
150 <sup>*2</sup>			575	150					23	79	163	287	3.1	
200			645	200					25					
300	196	80	775	300	120	80	15	20	28					
350			845	350					30					
400			925	400					33					
450 <sup>*3</sup>			995	450					36					
JP-S3002			100							570	100			
200			690	200					42					
300	259	100	810	300	156	100	23	30	48	104	188	328	4.9	
350			870	350					52					
400			930	400					56					
JP-S5002	100			643	100					98				
	200			743	200					110				
	300	365	148	843	300	204	148	30	40	123				
	350			893	350					129				
400	943			400	135									
JP-S8002	200			380	135					820	200	196	135	30
JP-S10T2	200	465	200	889	200	280	200	30	50	198				
	400			1089	400					235				
JP-S20T2	200	442	292	1499	200	300	260	30	50	392				
	400			1699	400					442				

\*1 Not available for the JP-S1002. 350mm stroke available for the JP-S0502 only.

\*2 Not available for the JP-S1502. 150mm stroke available for the JP-S2002 only.

\*3 Not available for the JP-S2002. 450mm stroke available for the JP-S1502 only.

\* The JP-S2002 Long Holding controller is the same size as the JP-S3002 Standard controller.

The JP-S3002 Long Holding controller is the same size as the JP-S5002 Standard controller.

\* Please contact us for more detailed dimensions and/or dimensions not mentioned in this catalog.



# Specifications

Item		JP-S0502	JP-S1002	JP-S1502	JP-S2002
Pressing Capacity	Maximum	5kN	10kN	15kN	20kN
	Detection Unit <sup>*1</sup>	2N	4N	8N	8N
Ram Stroke		100mm		100mm	100mm
		150mm	100mm	200mm	150mm
		250mm	150mm	300mm	200mm
		350mm	250mm	350mm	300mm
				400mm	350mm
Ram Speed	Pressing	0.01~35mm/sec			
	Approaching/Returning	0.01~216mm/sec		0.01~200mm/sec	
Maximum Holding Time <sup>*2</sup>		999.9sec			
Load Display Precision <sup>*3</sup>		±50N at 0.5kN or more	±100N at 1kN or more	±200N at 2kN or more	±200N at 2kN or more
Position Repeatability <sup>*4</sup>		±0.01mm			
Maximum Ram Tip Fixture Hanging Weight		5kg or less	10kg or less	15kg or less	20kg or less
Power Consumption		200W	400W	750W	750W
Power Source	Single Phase	180~250V (50/60Hz) *Single phase types use a single phase drive power supply cable.			
	Three Phase				

## Common Specifications

Basic Pressing Modes	Pressing at a constant speed: Position Stop / Distance Stop / Load Stop / Differential Load Stop / Event Stop Pressing at a constant load: Time Stop / Position Stop / Distance Stop / Event Stop Use these combinations to make multistep pressing settings in one program.	
Sensor Functions	Step Sensor / Program Sensor / Load Zone Sensor	
No. of Programs <sup>*5</sup>	Up to 512	
No. of Pressing Steps <sup>*5</sup>	Up to 512 (in one program)	
No. of Step Sensors <sup>*5</sup>	Up to 16 (in one step) Up to 512 (in one program)	
External Input/Output	COM	RS-232C 1ch
	Digital Input/Output (DIO) (optional)	17 Inputs / 16 Outputs *NPN / PNP (specify at time of order)
	LAN	10BASE-T / 100BASE-TX
	Field Network (optional)	EtherNet/IP / PROFINET / CC-Link / DeviceNet / PROFIBUS / CANopen (specify at time of order)
Other	Load Cell Output, Encoder Output, Analog Monitor Output	
Encoder	Incremental Type	
Display Units	Load Unit: N, kgf, lb Length Unit: mm, inch	
Display Languages	PC Software	Japanese, English, Korean, Chinese
	Pendant Unit	Japanese, English, Korean, Chinese
Work Environment	Surrounding Temperature	0~40°C
	Relative Humidity	20~90% (without condensation)
Ingress Protection	IP20	

\*1 The load detection unit indicates the resolution (for analog/digital conversion). This differs from load detection precision.

\*2 Holding times decrease as loads increase. (In some situations, holding times are unattainable.)

Increases in motor temperature can shorten holding times even further.

\*3 Load display precision is ±1% (FS) of the maximum load when pressing in the range of 10% or more of the maximum load with no influence from increases in temperature. (The load display precision for the JP-S1502 is approximately ±1.3% (FS) of the maximum load when pressing in the approximate range of 13% or more of the maximum load.) This is an indicator of sensor measuring unit and accuracy and is not an indicator of load tolerances after pressing or margin of error.

\*4 Position repeatability is dependent upon the press bearing a constant load at constant press unit and surrounding environmental temperatures. Repeatability is not a guarantee of absolute position precision.

\*5 The number of programs, pressing steps and step judgments is limited in relation to the total memory size. When multiple steps are included in one program, this in turn limits the number of new programs which can be added to the memory.

JP-S3002	JP-S5002	JP-S8002	JP-S10T2	JP-S20T2
30kN	50kN	80kN	100kN	200kN
12N	20N	32N	40N	80N
100mm	100mm			200mm
200mm	200mm			400mm
300mm	300mm	200mm		
350mm	350mm			
400mm	400mm			
0.01~35mm/sec		0.01~22mm/sec	0.01~16mm/sec	0.01~8mm/sec
0.01~210mm/sec	0.01~200mm/sec	0.01~135mm/sec	0.01~100mm/sec	0.01~50mm/sec
999.9sec				
±300N at 3kN or more	±500N at 5kN or more	±800N at 8kN or more	±1000N at 10kN or more	±2000N at 20kN or more
±0.01mm				
30kg or less	50kg or less	80kg or less	100kg or less	200kg or less
2,000W			5,000W	
-				
180~250V (50/60Hz)				

#### <Accessories>

- Press Unit Cable
- Power Cable
- Operation Manual (CD-ROM)
- JP-S2 Designer PC Software (Windows® 10, Windows® 11 compatible)

#### <Options>

- JP-S2 SaS System PC Software (Windows® 10, Windows® 11 compatible)
- Pendant Unit (with or without emergency stop switch\*) (Length: 2m/3m/5m/10m)
- Touch Panel Interface (Windows® 10 IoT Enterprise)
- Emergency Stop Contact Output Cable\* (Length: 3m/5m)
- Pendant Unit Short Connector\*
- DIO Connector
- DIO Cable (Length: 2m/3m/5m)
- Encoder Output Cable (Length: 3m/5m)
- Load Cell Output Cable (Length: 3m/5m)
- Analog Monitor Output Cable (Length: 2m)
- DIN Rail Attachment Plate



Touch Panel Interface

\*When using a Pendant Unit equipped with an emergency stop switch, please be sure to construct a cutoff circuit.  
 An "emergency stop contact point output cable" is necessary when constructing a cutoff circuit.  
 When disconnecting a Pendant Unit equipped with an emergency stop switch, a "Pendant Unit short connector" is required.

## Long Holding Specifications

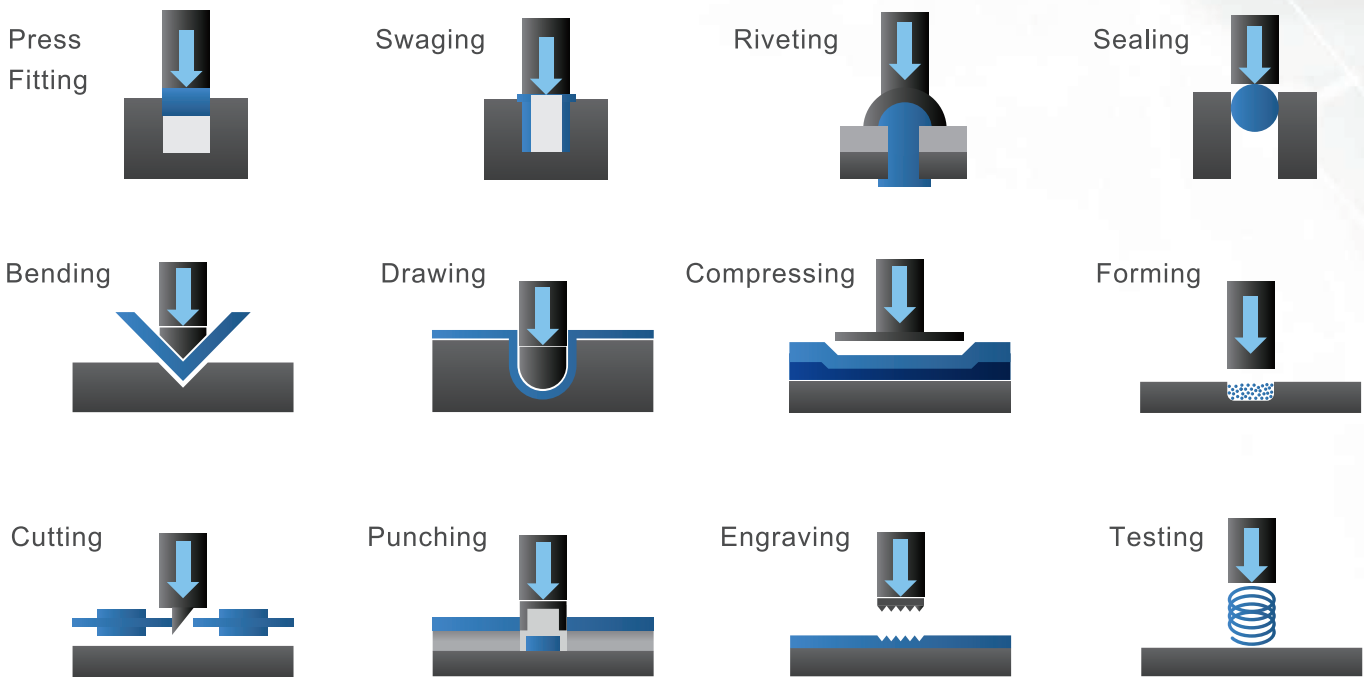
Equipped with a larger motor for extended holding times.

● Available Models

JP-S0502	JP-S1002	JP-S1502	JP-S2002	JP-S3002	JP-S5002	JP-S8002	JP-S10T2	JP-S20T2
●	●		●	●				

\*For more information, please contact us.

# Janome Servo Presses are ideal for many different applications.



When using our press for metalworking, obey local laws for safety, add a safety device and obtain regulatory approval(s) when required. For more information, please contact us.

Janome Servo Presses are used in a wide range of industries, including automotive, consumer electronics, aerospace, cosmetics and pharmaceuticals.



- Before using our products, please be sure to check their respective operation manuals so that you can use them safely and correctly.
- Specifications may be modified without prior notice to improve product quality.
- For inquiries, please contact us at the telephone number below or through the "Contact Us" page on our website.

C15-00(12.0)EN 2023.4-000

## JANOME Corporation Industrial Equipment Sales Division

1463 Hazama-machi, Hachioji-shi, Tokyo 193-0941, Japan  
Tel: +81-42-661-6301 FAX: +81-42-661-6302  
E-mail : [j-industry@gm.janome.co.jp](mailto:j-industry@gm.janome.co.jp)  
URL: [www.janome.co.jp/industrial.html](http://www.janome.co.jp/industrial.html)